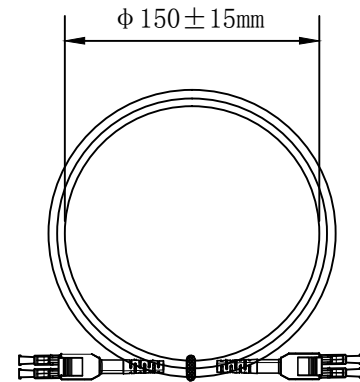


Note:

1. Polarity: Crossover A-B, B-A.
2. Grade Designation: Each to Reference
3. ROHS 2.0 (EU)/2015/863 and REACH 191 Compliant
4. OD: 3.0mm+0/-0.2mm



| | |
|-----------------|------------------------|
| Type | Single-Mode |
| Insertion Loss | ≤0.3dB (IEC 61300-3-4) |
| Return Loss | ≥50dB |
| Test Wavelength | 1310nm |

MATERIAL LIST:

| | | | |
|-----|--|------------|--------|
| ⑥ | Heat Shrink Tube White | 2pcs | |
| ⑤ | LC Dust Cap White | 4pcs | |
| ④ | LC Uniboot Connector Blue(Beige, Erika violet) | 4pcs | |
| ③ | LC Uniboot White Boot | 2pcs | |
| ② | LC SM Ferrule Ceramic | 4pcs | |
| ① | Fiber Optical Cable ϕ 3.0mm OS2 G657.A2 9/125um Yellow LSZH (one tube with 2 fiber) | L+0.1m | |
| NO. | SPECIFICATION STANDARD | QT' Y | REMARK |
| Fan | NEW | 2019-11-01 | A0 |
| BY | CHK REVISION RECORD MODIFICATIONS | DATE | REV. |

| ITEM NO. | DESC. |
|--------------|---|
| 21. 15. 8780 | ROLINE Cable LC-LC, uniboot, OS2, 9/125 μ m, yellow, OD:3.0MM, 0.5m |
| 21. 15. 8781 | ROLINE Cable LC-LC, uniboot, OS2, 9/125 μ m, yellow, OD:3.0MM, 1m |
| 21. 15. 8782 | ROLINE Cable LC-LC, uniboot, OS2, 9/125 μ m, yellow, OD:3.0MM, 2m |
| 21. 15. 8783 | ROLINE Cable LC-LC, uniboot, OS2, 9/125 μ m, yellow, OD:3.0MM, 3m |
| 21. 15. 8785 | ROLINE Cable LC-LC, uniboot, OS2, 9/125 μ m, yellow, OD:3.0MM, 5m |
| 21. 15. 8789 | ROLINE Cable LC-LC, uniboot, OS2, 9/125 μ m, yellow, OD:3.0MM, 10m |
| 21. 15. 8786 | ROLINE Cable LC-LC, uniboot, OS2, 9/125 μ m, yellow, OD:3.0MM, 15m |
| 21. 15. 8787 | ROLINE Cable LC-LC, uniboot, OS2, 9/125 μ m, yellow, OD:3.0MM, 20m |

