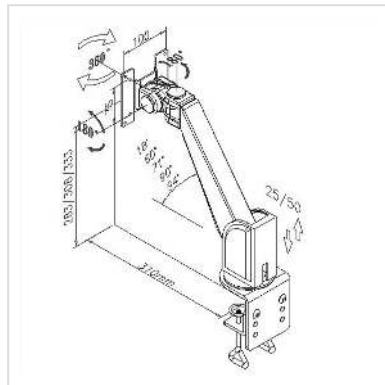


VALUE LCD Monitor Arm Standard, Wall Mount or Desk Clamp

Product No.	17.99.1123
Manufacturer	VALUE
Manufacturer No.	17.99.1123
EAN (single piece)	7611990185726



- Provides the screen at three positions for the most comfortable viewing level and provide the monitor or LCD TV tilt, left or right
- Supports wall mounting as well as desk clamp (with C-clamp mounting bracket)
- Meets VESA 75 (75 * 75 or VESA 100 (100 *100 mm)

Technical specifications

Manufacturer	VALUE
Product group	LCD-Monitor arms
Product type	Monitor Arms, Wall Mount or Desk Clamp
Colour	grey
Load capacity	10 kg
Quantity of pivots	5
Fixing	wall mount or desk clamp
Maximal arm length	250 mm
Adjustments	Mechanical
Number of monitors	1
VESA 75 x 75 mm	Yes
VESA 100 x 100 mm	Yes

Material group	metal
Technical particularity	cable management
Weight	3805 g
Height of packaging (single piece)	190 mm
Width of packaging (single piece)	140 mm
Depth of packaging (single piece)	560 mm
Package weight (single piece)	4.327 kg